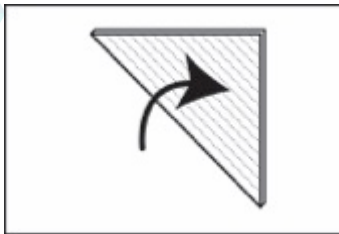




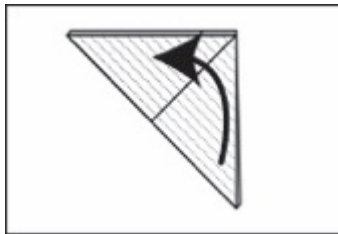
**Andrie**  
Designs

**Quick Reference Sheet**  
**#005**

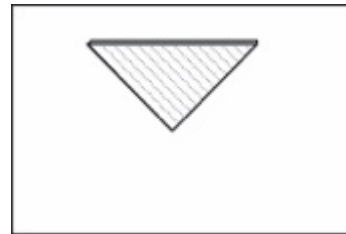
# ***Cut and Join Bias Strips***



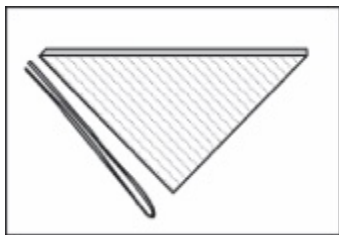
Fold fabric: bottom left  
up to top right



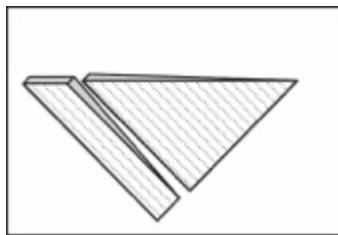
Fold fabric: bottom  
right up to top left



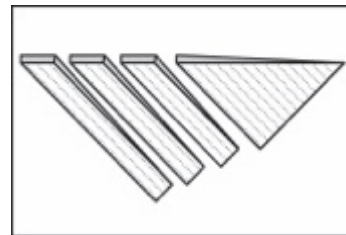
Fabric folded



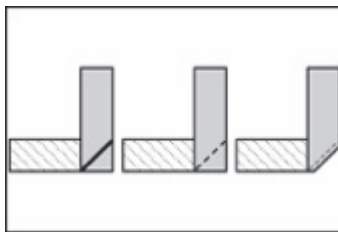
Trim folded edges off



Cut bias strips



Cut bias strips



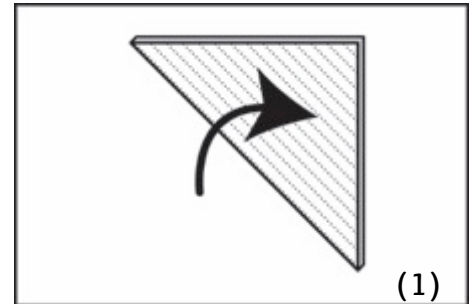
Join bias strips

[www.andriedesigns.com](http://www.andriedesigns.com)

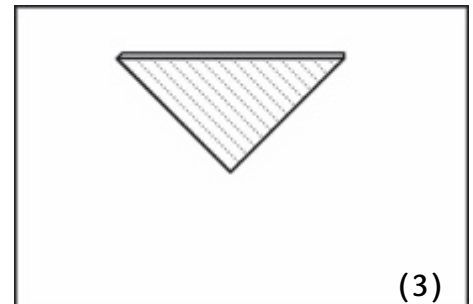
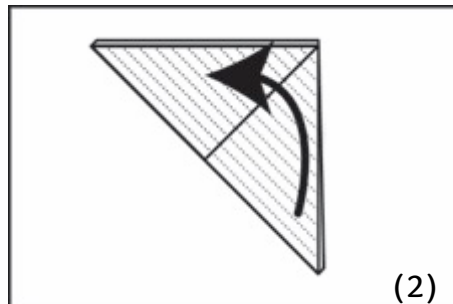


## Quick Reference: How to Cut and Join Bias Strips

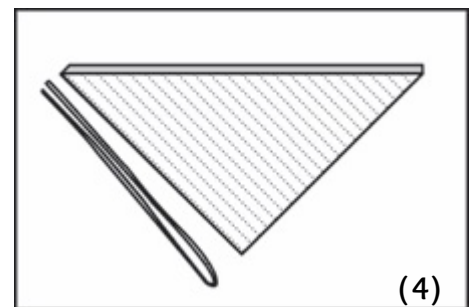
Lay the fabric you are going to use out flat in front of you. Fold the bottom left corner up and over to meet the top right corner diagonally opposite it, ensuring the top and side edges are square and the fold is on a nice 45° angle **(1)**.



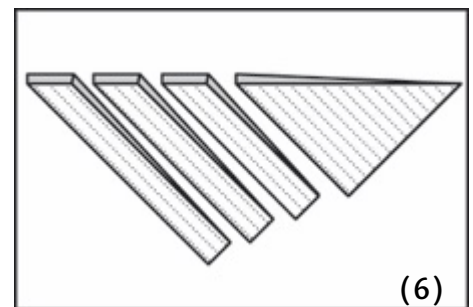
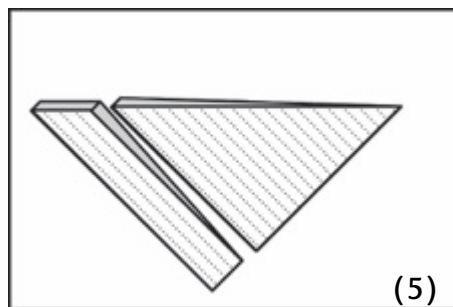
Fold the bottom right corner up and over to meet the top left corner diagonally opposite it, matching the folded edges down the **left hand side** together **(2 & 3)**.



Trim the folded edges off along the **left hand side (folded edges)** cutting no more than 1/8" (0.3cm) from the folded edges **(4)**.



Still cutting from the left hand side, cut bias strips at the required width as per your pattern **(5 & 6)**.



Square up the ends of your bias strips. Take two strips and lay them out on your work surface so the ends are right sides together and at right angles to each other. Draw a diagonal line across the fabric from one corner to the other. Pin in place **(7)**.

Stitch along the line you've drawn to join the two pieces together **(8)**.

Trim the seam to 1/4" (0.6cm) **(9)**. Repeat to join additional pieces as necessary. Press all joining seams open.

